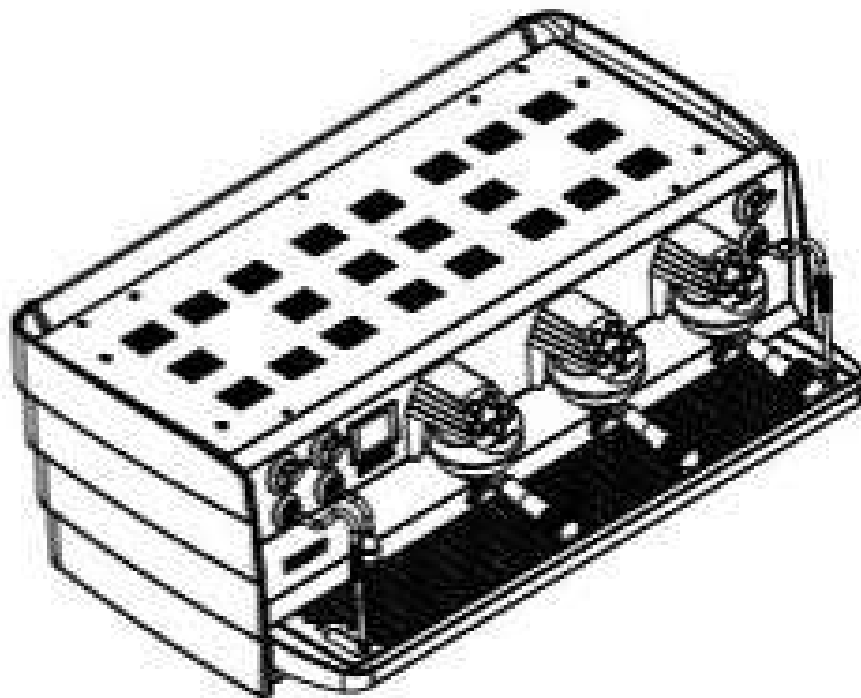


SPARE PARTS BOOK

EAGLE TEMPO



23/07/2024

EAGLE TEMPO DIGIT

Victoria Arduino

INSPIRED BY YOUR PASSION.



INSPIRED BY YOUR PASSION.

- T.01 **CABINET PARTS**
COMPONENTI GRUPPO CARENA
- T.02 **CONTROL PANEL PARTS**
COMPONENTI INVOLUCRO COMANDI
- T.03 **POURING GROUP PARTS**
COMP. GRUPPO EROGAZIONE
- T.04 **HYDRAULIC PARTS**
COMPONENTI IDRAULICI
- T.05 **STEAM PARTS**
COMP.VAPORE
- T.06 **HOT WATER AND EASY CREAM PARTS**
COMP. ACQUA CALDA + EASY CREAM
- T.07 **HYDRAULIC GROUP PARTS**
COMP. GRUPPO IDRAULICO
- T.08 **BOILER PARTS**
COMPONENTI CALDAIA
- T.09 **FRAME PARTS**
COMP. TELAIO
- T.10 **ELECTRONIC PARTS**
COMPONENTI ELETTRONICI
- T.11 **ELECTRIC PARTS**
COMPONENTI ELETTRICI

» LEGEND :

THE CODES WRITTEN IN BOLD REFER TO THE COMPONENTS
EMPLOYED CURRENTLY.

THE CODES USED BEFORE ARE WRITTEN IN CORSIVE WITH INDICATED,
ON THE SIDE, THE END OF VALIDITY DATE.

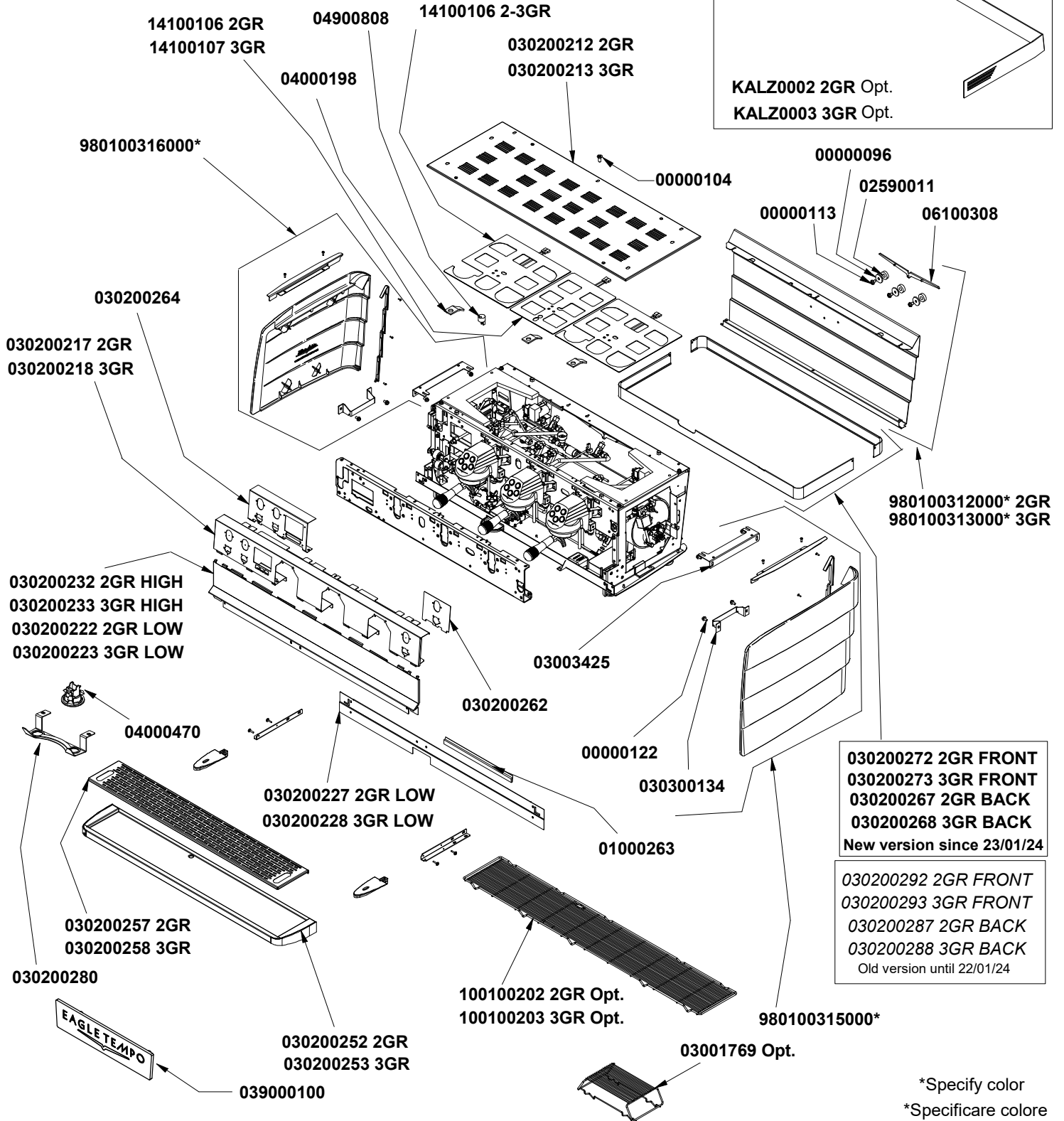
EXAMPLE:

03001531 - 01/09/2007

03001531



CODE	DESCRIPTION	DESCRIZIONE
KSEVA205	ELEC. CUPWARMER 2GR	SCALDATAZZE ELET. 2GR
KSEVA305	ELEC. CUPWARMER 3GR	SCALDATAZZE ELET. 3GR



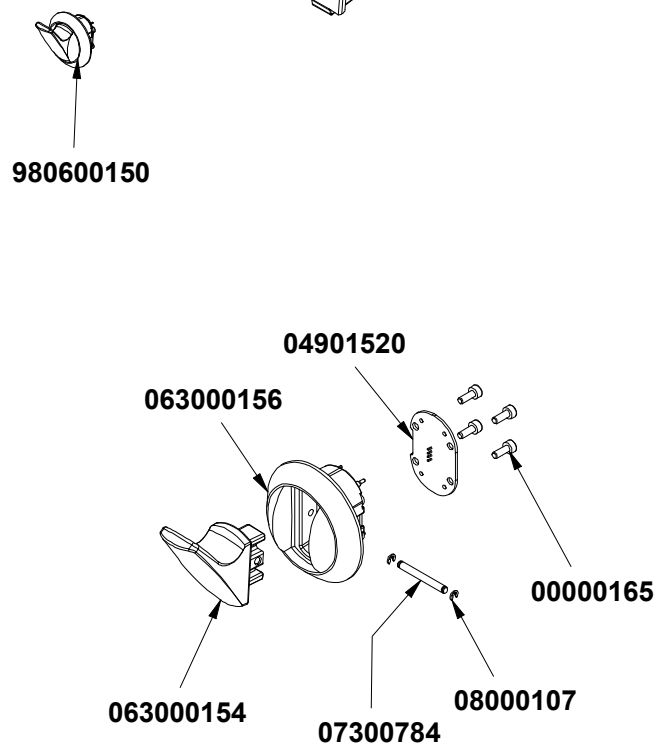
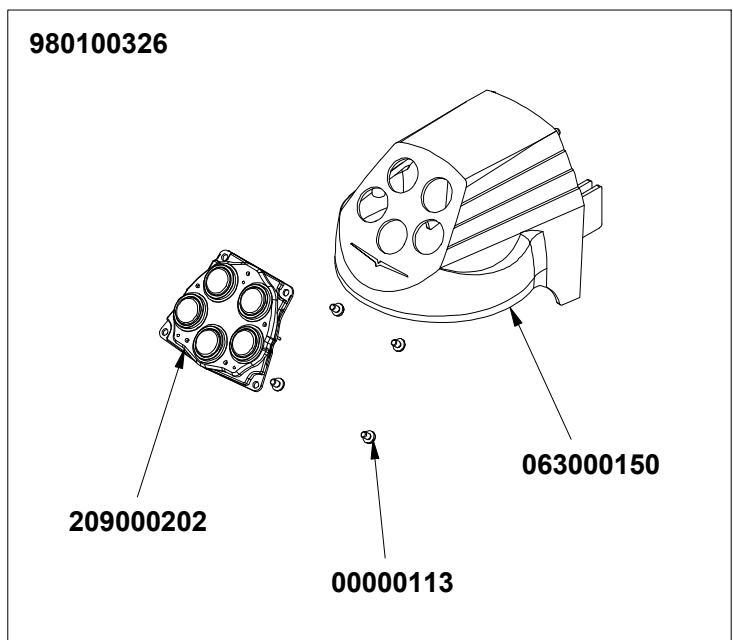
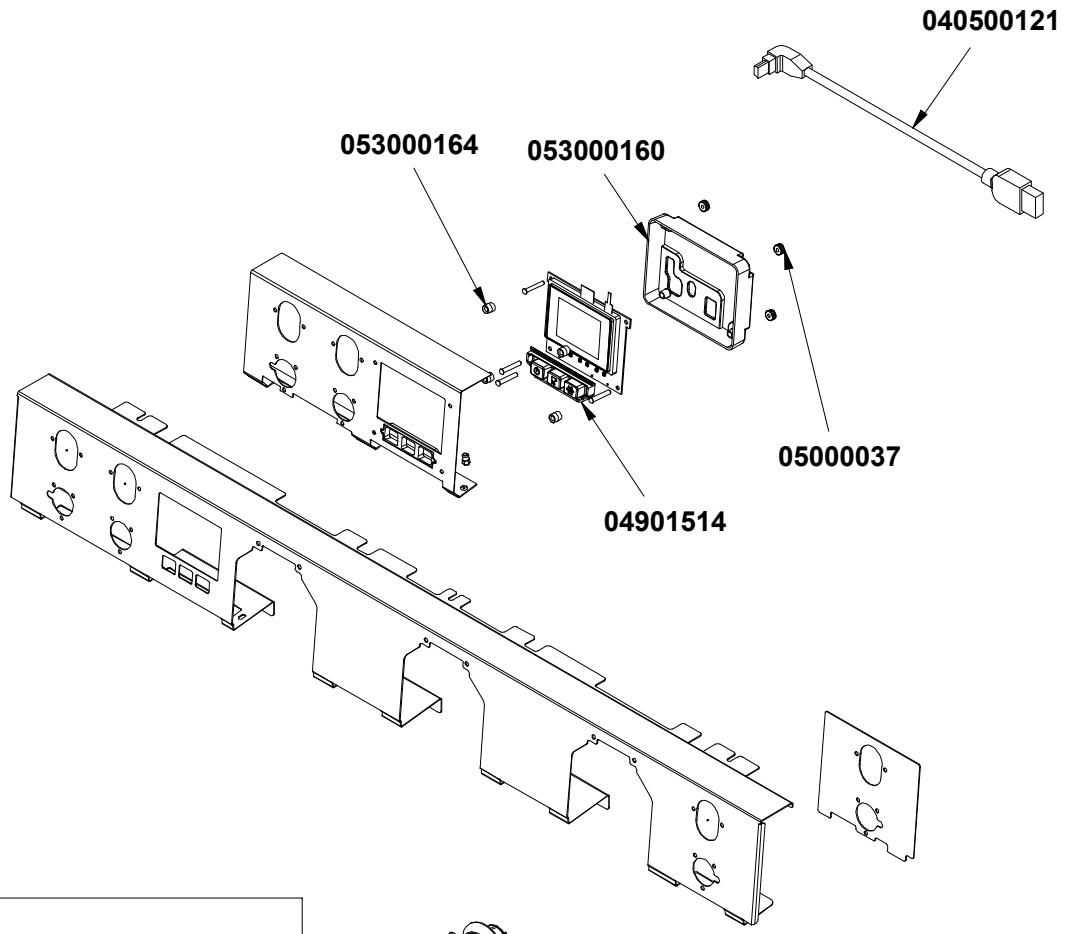
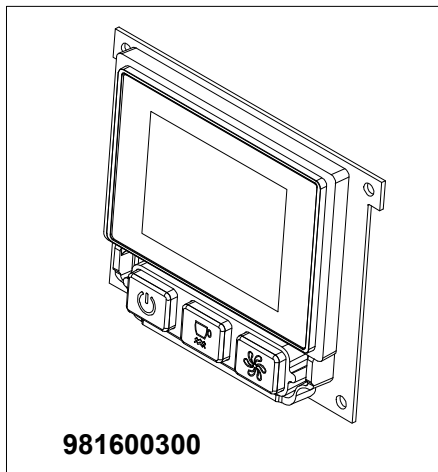
*Specify color
*Specificare colore



COD.	DESCRIPTION	DESCRIZIONE	VAL.
00000096	GALV AQ WASHER M6 6,6x18x1,5	RONDELLA AQ M6 6,6X18X1.5 ZINC	
00000104	S/S CROSSHEAD COUNTERSUNK SCREW M4x10 DIN965	VITE INOX M4x10 TSP TCR DIN965	
00000113	S/S CROS SHEAD CAP SCREW M4x6 7985	VITE INOX M4x6 TC TCR 7985	
00000122	WHITE GALV FLANGED KNURLED HEX CAP SCREW 8.8 M	VITE AQ 8.8 M6x12 TE FLANG. ZIGR. ZINC. BIANCO	
01000263	RUBBER PROFILE GASKET FOR PLATE	GUARNIZIONE PROFILO IN GOMMA PER PIATTO	
02590011	PISTON GASKET 14,4X6X4,5 SIL RED SR80	GUARNIZ.PISTONCINO 14,4X6X4,5 SILICONE ROSSO SR 80	
03001769	S/S RAISED CUP STAND	SUPP. TAZZINE INOX	
03003425	SIDE PANEL SUPPORT VA358	LAMIERA SUPP. FIANCO VA358 - WER	
030200212	CUP HOLDER 2GR. WER	PIATTO PORTATAZZE 2GR. WER	
030200213	CUP HOLDER 3GR WER	PIATTO PORTATAZZE 3GR. WER	
030200217	UPPER FRONT PANEL 2GR WER	PARETE FRONTALE SUP. 2GR. WER	
030200218	UPPER FRONT PANEL 3GR WER	PARETE FRONTALE SUP. 3GR. WER	
030200222	LOW FRONT PANEL 2GR WER	PARETE FRONTALE 2GR. BASSI WER	
030200223	LOW FRONT PANEL 3GR WER	PARETE FRONTALE 3GR. BASSI WER	
030200227	LOWER CLOSING FRONT PANEL 2GR LOW WER	CHIUSURA INF. PARETE FRONTALE 2GR. BASSI WER	
030200228	LOWER CLOSING FRONT PANEL 3GR LOW WER	CHIUSURA INF. PARETE FRONTALE 3GR. BASSI WER	
030200232	FRONT PANEL 2GR HIGH	PARETE FRONTALE 2GR. ALTI WER	
030200233	FRONT PANEL 3GR HIGH	PARETE FRONTALE 3GR. ALTI WER	
030200252	DRAIN TRAY 2GR WER	PIATTO RACCOGLIACQUA 2GR. WER	
030200253	DRAIN TRAY 3GR WER	PIATTO RACCOGLIACQUA 3GR. WER	
030200257	MESH WORKTOP 2GR WER	RETINA PIANO LAVORO 2GR. WER	
030200258	WORKTOP NET 3GR WER	RETINA PIANO LAVORO 3GR. WER	
030200262	RIGHT FRONT HIGH PLATE 2-3GR WER	LAMIERA INTERNA DX FRONT. SUP. 2-3GR WER	
030200264	LEFT FRONT PLATE HIGH 2-3GR WER	LAMIERA INTERNA SX FRONT. SUP. 2-3GR WER	
030200267	LOWER PROFILE BACK H=50MM 2GR. WER	PROFILO INF. RETRO H=50MM 2GR. WER	
030200268	LOWER PROFILE BACK H=50MM 3GR. WER	PROFILO INF. RETRO H=50MM 3GR. WER	
030200272	LOWER PROFILE FRONT. H=50MM 2GR. WER	PROFILO INF. FRONT. H=50MM 2GR. WER	
030200273	LOWER PROFILE FRONT. H=50MM 3GR. WER	PROFILO INF. FRONT. H=50MM 3GR. WER	
030200280	GROUP LED SUPPORT WER	SUPPORTO LED GRUPPO WER	
030200287	LOWER PROFILE BACK H=50MM 2GR. WER "OLD VERSION"	PROFILO INF. RETRO H=50MM 2GR. WER "VECCHIO VERS"	
030200288	LOWER PROFILE BACK H=50MM 3GR. WER "OLD VERSION"	PROFILO INF. RETRO H=50MM 3GR. WER "VECCHIO VERS"	
030200292	LOWER PROFILE FRONT H=50MM 2GR. WER "OLD VERSION"	PROFILO INF. FRONT. H=50MM 2GR. WER "VECCHIA VERS"	
030200293	LOWER PROFILE FRONT H=50MM 3GR. WER "OLD VERSION"	PROFILO INF. FRONT. H=50MM 3GR. WER "VECCHIA VERS"	
030300134	BOTTOM BRACKET SIDE WER	STAFFA INFERIORE FIANCO WER	
039000100	FRONTAL LOGO WER	LOGO FRONTALE WER	
04000198	FOIL HOLDER M 6.3 D 4.2 45°	PRESA LAMELLARE M 6.3 d4.2 45°	
04000470	12VDC LED SPOT AURELIA WAVE	LED AURELIA18 12V	
04900808	CUPWARMER TEMPERATURE PROBE AURELIA	SONDA TEMPERATURA SCALDATAZZE AURELIA	
06100308	BACKSIDE EAGLE LOGO EAGLE ONE SHINY ALLUMINIUM	LOGO AQUILA POSTERIORE EAGLE ONE ALLUMINIO LUCID	
100100202	STRAND NET WORKTOP 2GR EAGLE TEMPO	RETINA A FILO PIANO LAVORO 2GR. WER	
100100203	STRAND NET WORKTOP 3GR EAGLE TEMPO	RETINA A FILO PIANO LAVORO 3GR. WER	
14100106	ADHESIVE SILICONE HEATING ELEMENT - SIDE CUPWAR	RESISTENZA ADESIVA IN SILICONE SCALDATAZZE LATER.E	
14100107	ADHESIVE SILICONE HEATING ELEMENT - CENTRAL CUP	RESISTENZA ADESIVA IN SILICONE SCALDATAZZE CENTR.	
980100312002	REAR CABINET SET EAGLE TEMPO 2GR MATT WHITE	ASS. CARENA RETRO WER 2GR. BIANCO OPACO	
980100312001	REAR CABINET SET EAGLE TEMPO 2GR STEELUX	ASS. CARENA RETRO WER 2GR. STEELUX	
980100312003	REAR CABINET SET EAGLE TEMPO 2GR MATT BLACK	ASS. CARENA RETRO WER 2GR. NERO OPACO	
980100312004	REAR CABINET SET EAGLE TEMPO 2GR HERITAGE	ASS. CARENA RETRO WER 2GR. HERITAGE	

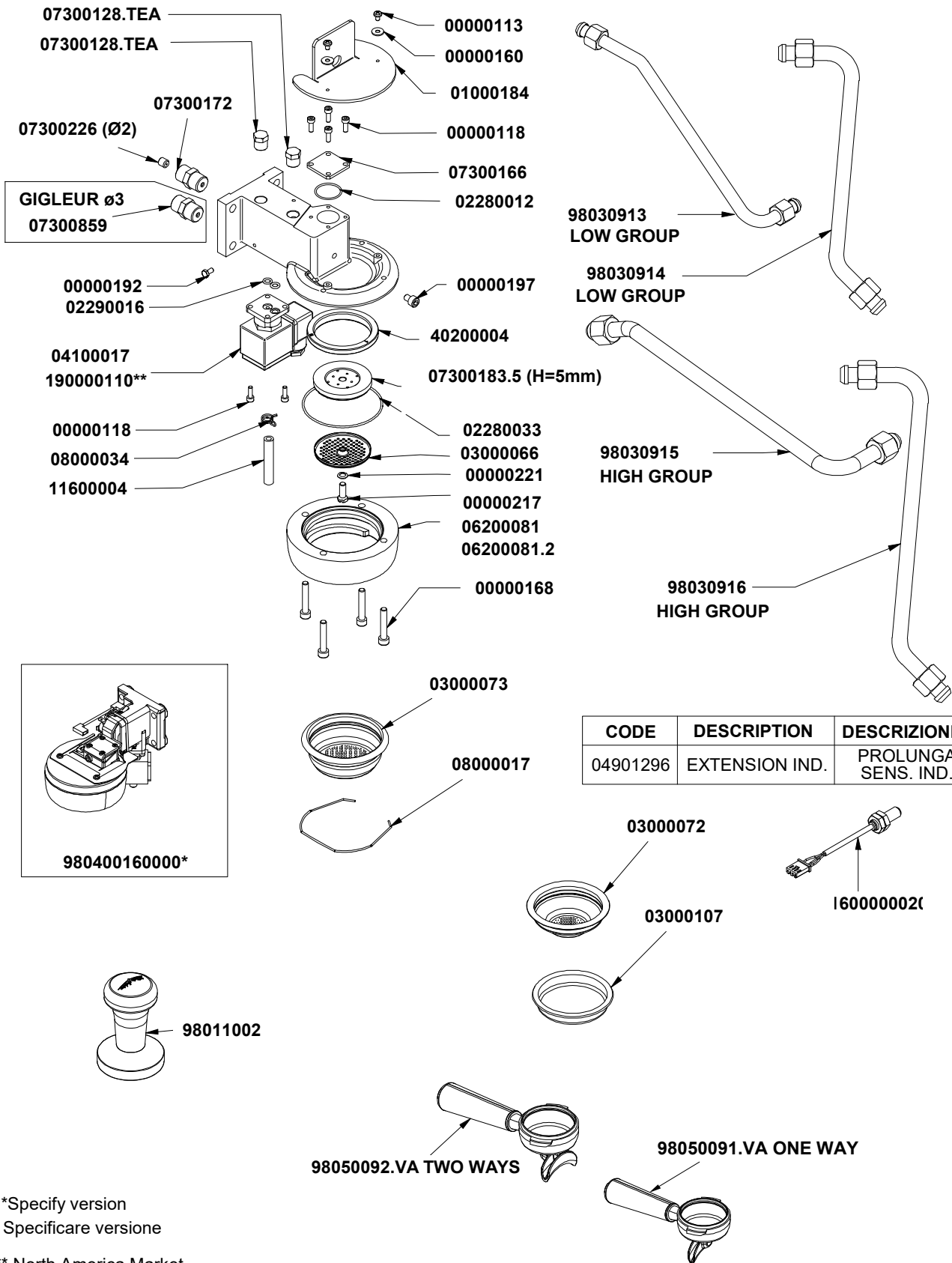


COD.	DESCRIPTION	DESCRIZIONE	VAL.
980100313001	REAR CABINET SET EAGLE TEMPO 3GR STEELUX	ASS. CARENA RETRO WER 3GR. STEELUX	
980100313003	REAR CABINET SET EAGLE TEMPO 3GR MATT BLACK	ASS. CARENA RETRO WER 3GR. NERO OPACO	
980100313002	REAR CABINET SET EAGLE TEMPO 3GR MATT WHITE	ASS. CARENA RETRO WER 3GR. BIANCO OPACO	
980100313004	REAR CABINET SET EAGLE TEMPO 3GR HERITAGE	ASS. CARENA RETRO WER 3GR. HERITAGE	
980100315003	RIGHT SIDE SET EAGLE TEMPO MATT BLACK	ASS. FIANCO DX WER NERO OPACO	
980100315004	RIGHT SIDE SET EAGLE TEMPO MATT WHITE	ASS. FIANCO DX WER BIANCO OPACO	
980100315001	RIGHT SIDE SET EAGLE TEMPO STEELUX	ASS. FIANCO DX WER STEELUX	
980100316001		ASS. FIANCO SX WER STEELUX	
980100316003	LEFT SIDE SET EAGLE TEMPO MATT BLACK	ASS. FIANCO SX WER NERO OPACO	
980100316004	LEFT SIDE SET EAGLE TEMPO MATT WHITE	ASS. FIANCO SX WER BIANCO OPACO	
KALZ0002	UPPER CUPHOLDER KIT EAGLE TEMPO 2GR	KIT ALZATINA POGGIATAZZE SUPERIORE EAGLE TEMPO 2	
KALZ0003	UPPER CUPHOLDER KIT EAGLE TEMPO 3GR	KIT ALZATINA POGGIATAZZE SUPERIORE EAGLE TEMPO 3	
KSEVA205	ELECTRICAL CUPWARMER EAGLE TEMPO 2GR	SCALDATAZZE ELETTRICO EAGLE TEMPO 2GR.	
KSEVA305	ELECTRICAL CUPWARMER EAGLE TEMPO 3GR	SCALDATAZZE ELETTRICO EAGLE TEMPO 3GR.	





COD.	DESCRIPTION	DESCRIZIONE	VAL.
00000113	S/S CROS SHEAD CAP SCREW M4x6 7985	VITE INOX M4x6 TC TCR 7985	
00000165	S/S SCREW M3x8 TCEI ISO 4762	VITE INOX M3x8 TCEI ISO 4762	
040500121	USB A (F) - USB C (M) 90° CABLE L=300MM	CAVO USB A (F) - USB C (M) 90° L=300mm	
04901514	SILICONE SERVICE KEYPAD EAGLE ONE	TASTI SILICONE SERVIZI EAGLE ONE	
04901520	ELECTR CNTRL BOARD W/ STEAM LEVER MAT EAGLE ON	SCHEDA ELETTR. CON TAPPETINO LEVA VAPORE EAGLE	
05000037	THREADED RING NUT FOR PANELS M4 X0,7 NYLON WHIT	GHIERA FILETTATA PER PANNELLI M4x0,7 NYLON BIANCO	
053000160	DISPLAY COVER EAGLE TEMPO	COPERCHIO DISPLAY WER	
053000164	SPACER 4,5X8XH9 (N.4 PCS.)	DISTANZIALE 4,5x8xH9 (n.4 pz.)	
063000150	GROUP COVER EAGLE TEMPO	COPRIGRUPPO WER	
063000154	STEAM LEVER EAGLE TEMPO	LEVA VAPORE WER	
063000156	STEAM LEVER SUPPORT EAGLE TEMPO	SUPPORTO LEVA VAPORE WER	
07300784	STEAM LEVER LOCK PIVOT EAGLE ONE	PERNO BLOCCO LEVA VAPORE EAGLE ONE	
08000107	LOCKING SPRING FOR STEAM TAP EAGLE ONE	SEEGER BLOCCO LEVA VAPORE EAGLE ONE	
209000202	DISPENSING CARD EAGLE TEMPO	SCHEDA EROGAZIONE WER	
980100326	GROUP COVER SET + DISPENSING CARD EAGLE TEMPO	ASS. COPRIGRUPPO + SCHEDA EROGAZ. WER	
980600150	STEAM KNOB SET WER	ASS. MANOPOLA VAPORE WER	
981600300	DISPLAY SET WITH CARD + SERVICE KEYS EAGLE TEMPO	ASS. DISPLAY CON SCHEDA + TASTI SERVIZI WER	



*Specify version
Specificare versione

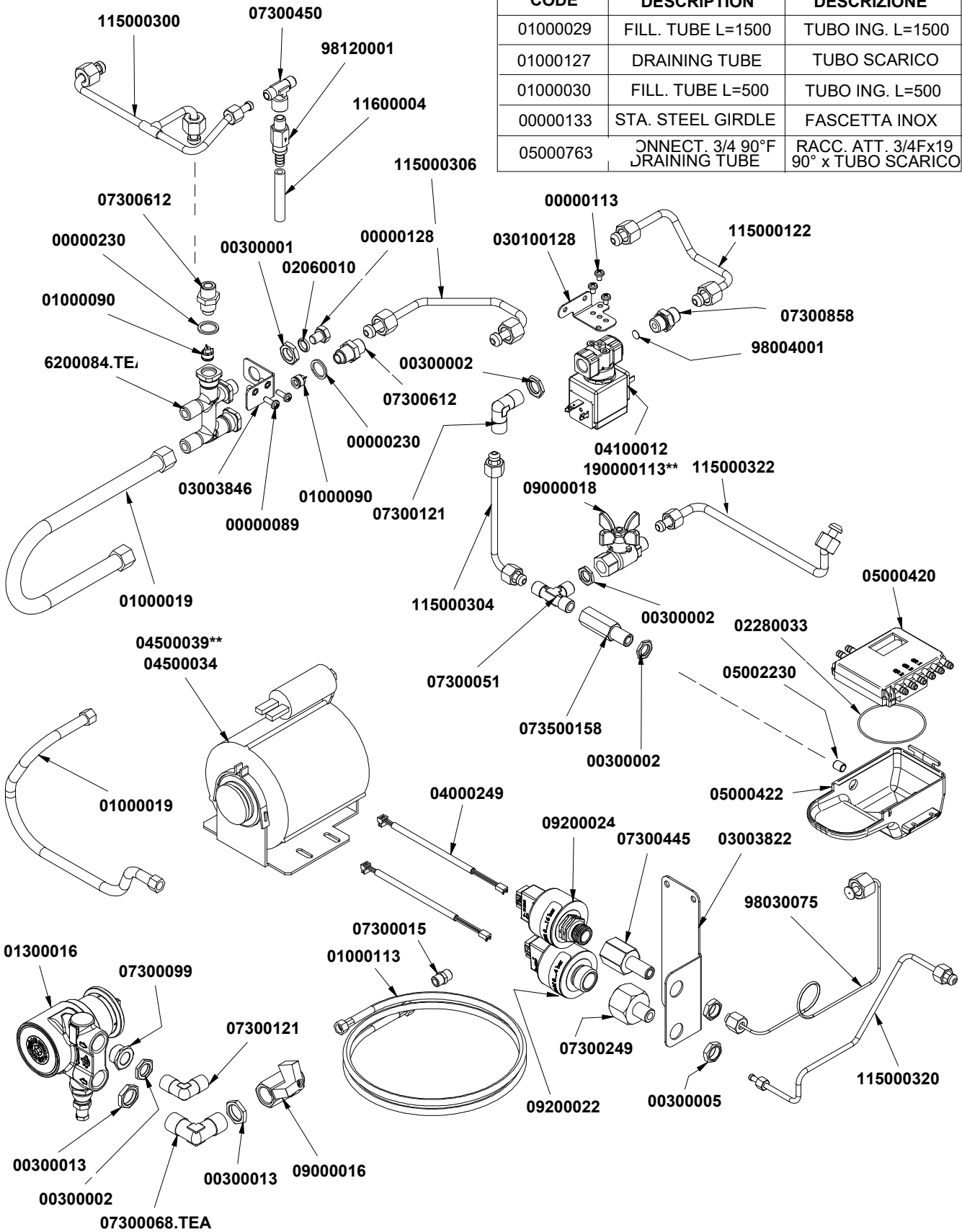
** North America Market
Mercato Nord America



COD.	DESCRIPTION	DESCRIZIONE	VAL.
00000113	S/S CROS SHEAD CAP SCREW M4x6 7985	VITE INOX M4x6 TC TCR 7985	
00000118	S/SHEx SOCKET CAP SCREW M4x12 5931	VITE INOX M4x12 TCEI 5931	
00000160	S/S WASHER D4X12 UNI 6593	RONDELLA INOX D4x12x1 UNI 6593	
00000168	S/S HEXAGON SOCKET HEAD SCREW M6x35 UNI 5931	VITE INOX M6x35 TCEI 5931	
00000192	S/S SCREW M4x8 TE UNI 5739	VITE INOX M4x8 TE UNI 5739	
00000197	S/S HEX SOCKET CAP SCREW M6x8 ISO 4762	VITE INOX M6x8 TCEI ISO 4762	
00000217	S/S SCREW TE CH9 + TC LT=20 FOR SHOWER	VITE INOX M6 LT=20 TE CH9 + TCx DOCCIA	
00000221	S/S SECURITY FLAT WASHER INOX M6 CONICAL	RONDELLA DI SICUREZZA INOX M6 SCHNORR CONICA	
01000184	ADONIS GROUP INSULATOR	ISOLANTE GRUPPO EROGAZIONE ADONIS	
02280012	GASKET O RING 2093 D.27 EP851	GUARN. OR 2093 D.27 VITON DF 801	
02280033	GASKET O RING 75,92x1,78 NBR XP70	GUARN. OR 75,92x1,78 NBR XP70 2300	
02290016	GASKET O RING D9,5 R5 SIL RED	GUARN. OR D 9,5 R5 SILICONE R.	
03000066	S/S SHOWER 56X5,5X6 WELDED	DOCCIA INOX 56x5,5x 6 SALDATA Aisi304	
03000072	FILTER ONE COFFEE HIGH 7gr	FILTRO 1 CAFFE' ALTO 7gr.	
03000073	FILTER TWO COFFEE HIGH 14gr	FILTRO 2 CAFFE' ALTO 14gr.	
03000107	BLIND FILTER	FILTRO CIECO	
04100017	3WAY SOLENOID DIS BASE 1/8220-230V50/60Hzz F1.5 CE	E.V. NC 3VIE BASETTA SCAR. 1/8220-230V 50/60HzRUBY F1	
04901296	EXT CABLE INDUCTIVE SENSOR PORTAFILTER AURELIA1	PROLUNGA SENSORE INDUTTIVO "PRESENZA PORTAFILTRO	
06200081	GROUP RING OR CHROME OT-58	ANELLO GRUPPO +SEDE OR CROMATO OT-58	
06200081.2	GR RING OR CHRME OT-58 - P.FILTER SENSOR EAGLE ON	ANELLO GRUPPO +SEDE OR CROMATO OT-58 PER SENSO	
07300128.TEA	PLUG 1/4 GAS+THEATURE	TAPPO 1/4 GAS AGG.31.01.89 OT-57 + TEATURA	
07300166	FLANGE BLOCK LOCK SOLENOID HOLDER ADD.07.07.03	FLANGIA CHIUSURA BLOCCHETTO PORTA ELETTR. AGG	
07300172	FITTING 3/8"M-3/8"M INT M8 OT-57 USA	RACCORDO 3/8M-3/8M INT M8 OT-57 USA	
07300183.5	GROUP DIFFUSER h=5 OT-58	PADIGLIONE GRUPPO h=5 OT-58 **AD ESAURIMENTO DARE	
07300226	GIGLEUR M8X8 F.2 OT-57 + TEA	GIGLER M8x8 F.2,0 OT-57 +TEA	
07300859	FITTING 3/8M-3/8M GIGLER F.3 OT-57	RACCORDO 3/8M-3/8M GIGLER F.3 OT-57	
08000017	S/S FILTER LOCKING SPRING	MOLLA BLOCCA FILTRO ACC. INOX	
08000034	HOSE CLAMP D12	FASCETTA STRINGITUBO D12	
11600004	SILICONE PIPE 5x9 60Sh PEROX WHITE SEMITRASPAREN	TUBO SILICONE 5x9 70Sh PEROX TRASPARENTE(1mt=50gr)	
190000110	3 WAYS SOLENOID SMALL BASE SCAR. 1/8 208-240V 60Hz	E.V. NC 3VIE BASETTA SCAR. 1/8 208-240V 60Hz F1.5RUBY U	
40200004	GASKET CONICAL UNDERCOVER 82/84 ShA	GUARNIZ. SOTTOCOPPA CONICA 82/84 ShA	
98011002	ANODISED COFFEE TAMPER BRILLIANT WHITE VA 2009	PRESSA CAFFE' ANOD. ARGENTO V.A. '09	
98030913	SUPERIOR LOW GR TUBE VA358	TUBO SUP. GR. BASSO VA358	
98030914	INFERIOR LOW GR TUBE VA358	TUBO INF. GR. BASSO VA358	
98030915	SUPERIOR RAISED GR TUBE VA358	TUBO SUP. GR. ALTO VA358	
98030916	INFERIOR RAISED GR TUBE VA358	TUBO INF. GR. ALTO VA358	
98050091.VA	S/S 1 WAY PORTAFILTER VA HANDLE W/OUT FILTER	CORPO PORTAFILTRO INOX 1 VIA BLOCC. + MANOPOLA V.A	
98050092.VA	S/S 2 WAYS PORTAFILTER VA HANDLE W/OUT FILTER	CORPO PORTAFILTRO INOX 2 VIE BLOCC. + MANOPOLA V.A	
98160000002090	PORTAFILTER PRESENCE SENSOR AURELIA18 W/CONNE	SENSORE PRESENZA PORTAFILTRO AURELIA18 COMPL. D	
980400160001	DISPENSING GROUP SET EAGLE TEMPO DIGIT	ASS. GR. EROG. WER DIGIT	
980400160002		ASS. GR. EROG. WER DIGIT + AUTOPURGE	



CODE	DESCRIPTION	DESCRIZIONE
01000029	FILL. TUBE L=1500	TUBO ING. L=1500
01000127	DRAINING TUBE	TUBO SCARICO
01000030	FILL. TUBE L=500	TUBO ING. L=500
00000133	STA. STEEL GIRDLE	FASCETTA INOX
05000763	CONNECT. 3/4 90° F DRAINING TUBE	RACC. ATT. 3/4Fx19 90° x TUBO SCARICO

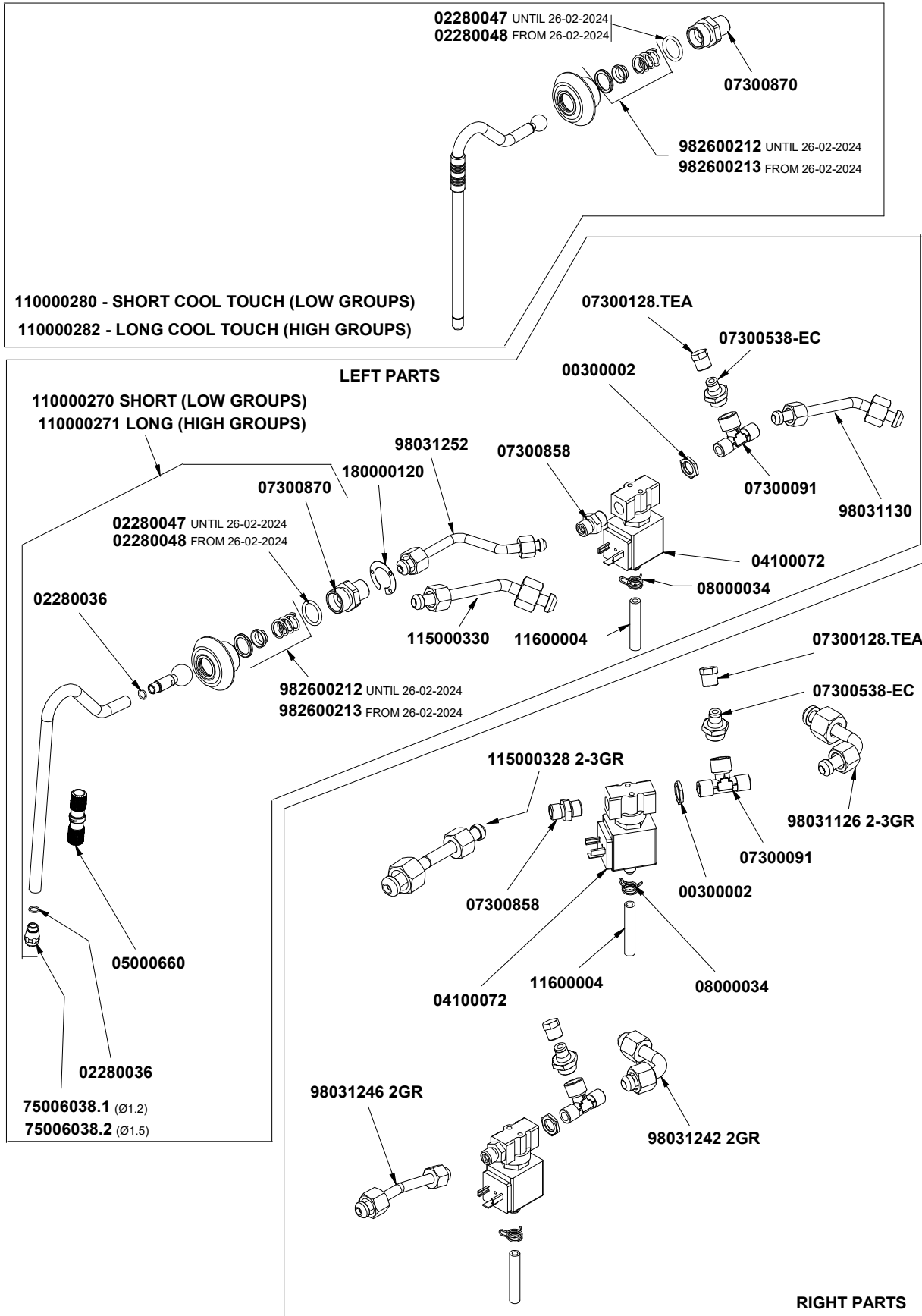




COD.	DESCRIPTION	DESCRIZIONE	VAL.
00000089	S/S CROSSHEAD CAP SCREW M4x12 DIN7985	VITE INOX M4x12 TC TCR DIN7985	
00000113	S/S CROS SHEAD CAP SCREW M4x6 7985	VITE INOX M4x6 TC TCR 7985	
00000128	S/S HEX CAP SCREW M8x10 THREADED	VITE INOX M8x10 TE TUTTO FIL.	
00000133	S/S CLIP WD12 16-25 C7 W2	FASCETTA INOX WD12 16-25 C7 W2	
00000230	COPPER WASHER SEAL 14X18X1.5	RONDELLA GUARNIZIONE RAME RICOTTO 14x18x1.5	
00300001	BRASS NUT 1/4 GAS D5 CH18	DADO OT 1/4 GAS SPESS.5 CH18 *AGG. 22.07.96	
00300002	BRASS NUT 1/4 D3 CH18	DADO OT 1/4 SPESS.3 CH18 AGG. 22.07.96	
00300005	BRASS NUT 1/8 GAS D4 ADD 22.07.96 CH13	DADO OT 1/8 GAS AGG.22.07.96 SPESS.4 CH13	
00300013	BRASS NUT 3/8 GAS D4 CH20 ADD 22.07.96	DADO OT 3/8 GAS SPESS.4 CH20 AGG.22.07.96	
01000019	S/S FLEXIBLE TUBE 1/4 FF L= 500	TUBO FLESS.INOX 1/4 F-F L=500	
01000029	S/S FLEXIBLE TUBE 3/8 FF L=1500	TUBO FLESS INOX 3/8 F-F L=1500	
01000030	S/S FLEXIBLE TUBE 3/8 FF L=500	TUBO FLESS INOX 3/8 F-F L=500	
01000090	RETAINING VALVE D10	VALVOLINA DI RITEGNO D.10	
01000113	S/S FLEXIBLE TUBE 3/8 90° 3/8 FF L1500	TUBO FLESS INOX 3/8 A 90 F. - 3/8 F. L=1500	
01000127	DIRECT SLEEVE DISCHARGE TUBE D19 L=2m	TUBO SCARICO CON MANICOTTO DIRITTO D.19 L= 2 m	
01300016	S/S VOLUMETRIC PUMP 200 Lt/h	POMPANTE VOLUMETRICO 200 lt/h ACCIAIO	
02060010	COPPER O RING 8.3x13x1.9 ND8	OR RAME 8,3x13x1,9 DN8	
02280033	GASKET O RING 75,92x1,78 NBR XP70	GUARN. OR 75,92x1,78 NBR XP70 2300	
05000763	CONNECTION 3/4 90°F FOR DRAINING TUBE	RACCORDO ATT. 3/4Fx19 90° x TUBO DI SCARICO	
115000320	BOILER PRESSURE SENSOR PIPE EAGLE TEMPO DIGIT	TUBO SENSORE PRESSIONE CALDAIA WER DIGIT	
115000322	BOILER LOAD PIPE EAGLE TEMPO DIGIT	TUBO CARICO CALDAIA WER DIGIT	
03003822	SUPPORT SHAFT PRESSURE TRANSDUCER EAGLE ONE	STAFFA SUPP. TRASDUTTORI DI PRESSIONE EAGLE ONE	
03003846	HYDRAULIC CROSSPIECE SUPPORT BRACKET	STAFFA SUPP. CROCIERA IDRAUL. EAGLE ONE	
030100128	SUPPORT SOLENOID SELF LEVEL MAVERICK	SUPPORTO E.V. AUTOLIVELLO MAVERICK	
04000249	3POLE CONN CABLE RAST 2.5/MOLEX L = 400mm for PSTY	CAVO COLL.3P RAST 2,5/MOLEX L.400mm x TRASDUTTORI	
04100012	2WAY SOLENOID 1/4-1/4 220-230V50/60hz F1.5 UL TH2xM5	E.V. NC 2VIE 1/4-1/4 220-230V 50/60HZ VITON F1.5CE PIEDIN	
04500034	ELEC ENGINE 230V 50/60Hz 165W	MOTORE ELETTRICO 230V 50/60Hz 165W	
04500039	ELEC ENGINE 220/240V 50/60Hz 165W FOR CSA	MOTORE ELETTRICO 220/240V 50/60Hz 165W (x MACCHINE	
05000420	TRAY PLUG UNDER PLATE VA388	TAPPO VASCHETTA SOTTO PIATTO VA388	
05000422	DRIP TRAY UNDER PLATED VA388	VASCHETTA SOTTO PIATTO VA388	
05002230	DRAIN RUBBER PLUG D8 x 05002228	TAPPO GOMMA SCARICO D.8 x 05002228	
06200084.TEA	5WAY MANIFOLD AURELIA OT-57 USA TEA	CROCIERA 5 VIE "AURELIA" OT-57 USA + TEATURA	
07300015	FITTING 3/8 3/8 GAS OT-58 ADD. 26.06.96	RACCORDO 3/8 3/8 GAS OT-58 AGG. 26.06.96	
07300051	FITTING T 1/4 M-M-M CYLIN.	RACCORDO T 1/4 M-M-M CILIN.	
07300068.TEA	CYLINDRICAL ELBOW FITTING G3/8" M/M	RACCORDO L 3/8 M-M CILIN. OT-57 + TEATURA	
07300099	FITTING ADAPTER 3/8-1/4 ES. 20 ADD. 29.05.96	RIDUZIONE 3/8-1/4 ES.20 AGG. 29.05.96	
07300121	FITTING L 1/4 M-M CYLIND ADD. 18.02.97	RACCORDO L 1/4 M-M CILINDRICOAGG. 18.02.97	
07300249	FITTING 1/8M L = 12 3/8F	RACCORDO 1/8M L=12 3/8F OT-57	
07300445	FITTING 1/8M L = 20 1/4F for SENSOR	RACCORDO 1/8M L=20 1/4F x SENSORE	
07300450	FITTING T 1/8 M-F-M OT-57	RACCORDO T 1/8 M-F-M OT-57	
07300612	FITTING 1/4 1/4 GAS WITH ORING + RETURN VALVE LOCK	RACCORDO 1/4 1/4 GAS CON OR + BLOCCA VALVOLINARIT	
07300858	FITTING 1/4M-1/4M OT-57 USA	RACCORDO 1/4M-1/4M OT-57 USA	
073500158	DRAIN TAP EXTENTION WER	PROLUNGA RUBINETTO SCARICO WER	
09000016	SPHERE TAP - NETWORK CONNECTION 3/8 M-F MINI	RUBINET. SFERA ALLACCIO RETE 3/8 M-F MINI	
09000018	DISPENSING SPHERE TAP 1/4 M-F "BUTTERFLY"	RUBINET. SFERA DISTRIBUTORE 1/4 M-F A FARFALLA	
09200022	PRESSURE TRANSDUCER 0-4 BAR 3/8	TRASDUTTORE DI PRESSIONE 0-4 BAR 3/8	
09200024	PRESSURE TRANSDUCER 0-16 BAR 1/4	TRASDUTTORE DI PRESSIONE 0-16 BAR 1/4	

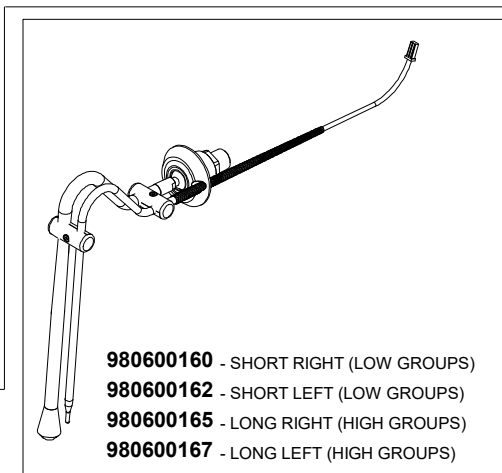
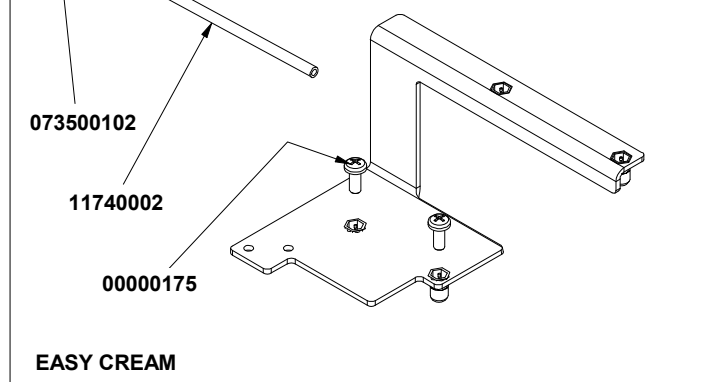
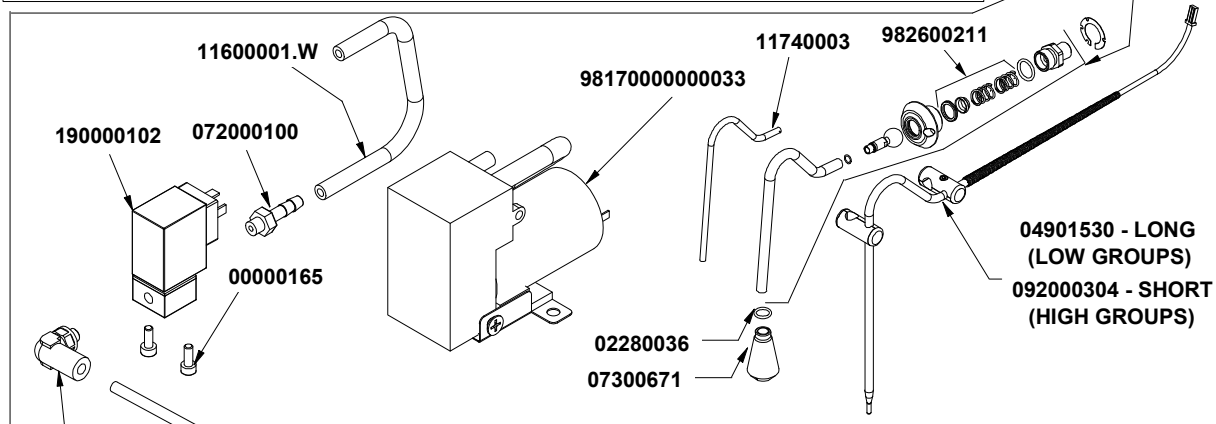
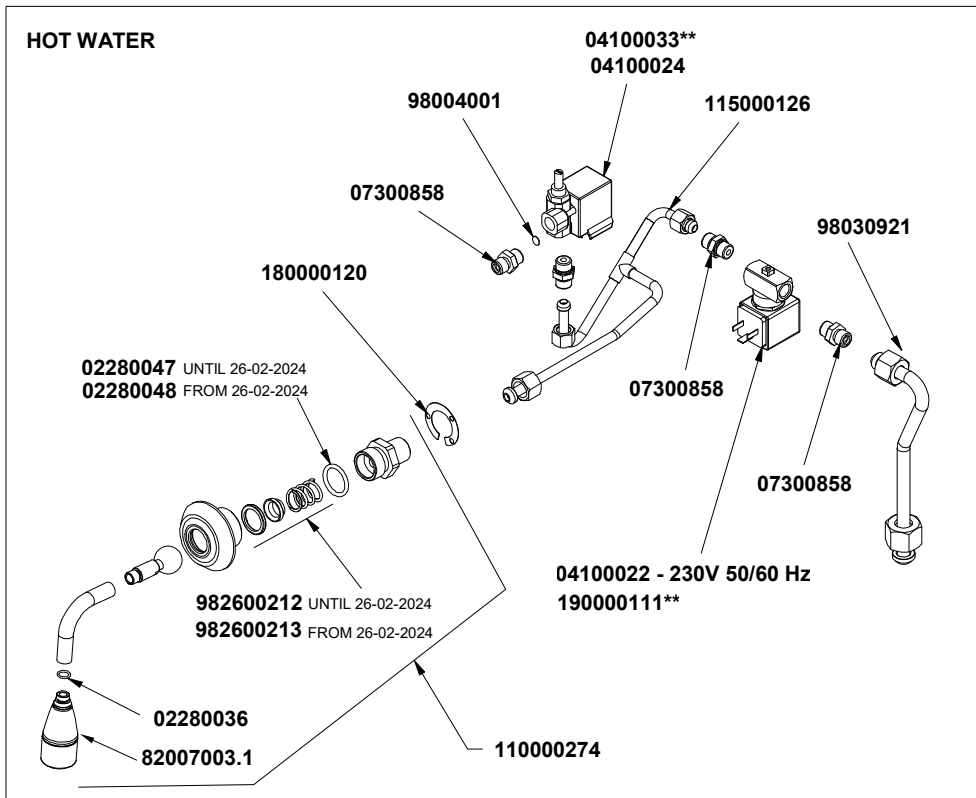


COD.	DESCRIPTION	DESCRIZIONE	VAL.
115000122	VALVE LEVEL - MANIFOLD TUBE MAVERICK	TUBO E.V. LIVELLO - CROCIERA MAVERICK - WER	
115000300	MANIFOLD TUBE - FLOWMETERS COLL. + EV MIXER EAGLE	TUBO CROCIERA - COLL. DOSATORI+ EV MISCELATORE W	
115000304	E.V. TUBE LEVEL - TAP EAGLE TEMPO	TUBO E.V. LIVELLO - RUBINETTO WER	
115000306	MANIFOLD TUBE - E.V. AUTOLEVEL EAGLE TEMPO	TUBO CROCIERA - E.V. AUTOLIVELLO WER	
11600004	SILICONE PIPE 5x9 60Sh PEROX WHITE SEMITRASPAREN	TUBO SILICONE 5x9 70Sh PEROX TRASPARENTE(1mt=50gr)	
190000113	2 WAYS SOLENOID 1/4-1/4 208-240V 60Hz FKM F1.5 UL NSF	E.V. NC 2VIE 1/4-1/4 208-240V 60Hz FKM F1,5 UL NSF	
98004001	S/S FILTER D8	FILTRO INOX DIAM. 8	
98030075	CAPILLARY TUBE 1/8-1/4 0,9X2X400 GAUGE-PUMP	TUBO CAPILLARE 1/8-1/4 0,9x2x400 MANOM.-POMPA	
98120001	NEPLAX VITON 16,5 BAR VALVE 1/8 HOSE CLAMP	VALVOLA NEPLAX VITON 16,5 BAR 1/8 - PORTAGOMMA	





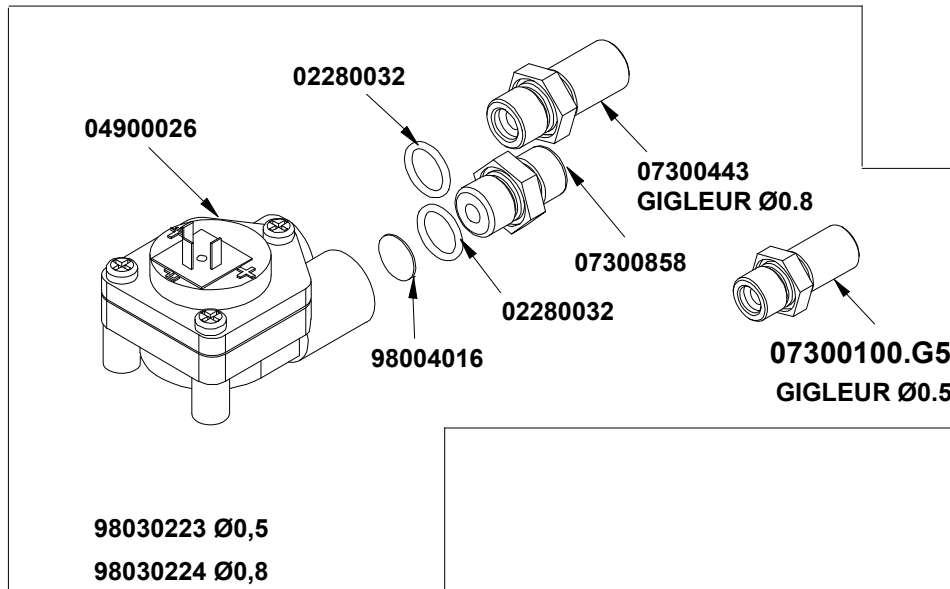
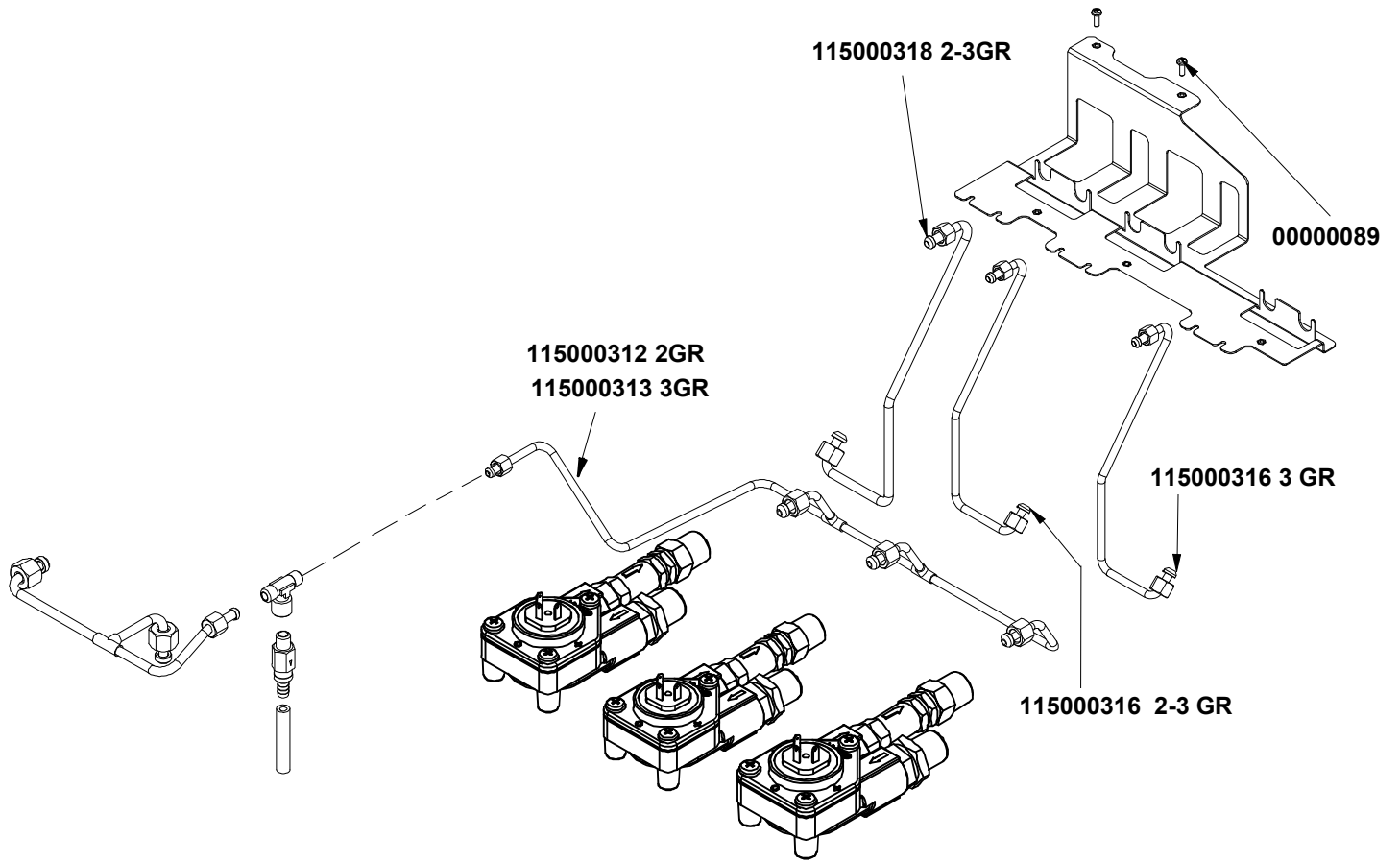
COD.	DESCRIPTION	DESCRIZIONE	VAL.
00300002	BRASS NUT 1/4 D3 CH18	DADO OT 1/4 SPESS.3 CH18 AGG. 22.07.96	
02280036	O RING FOR STEAM WAND NOZZLE D6x1.2 EPDM70 500 P	GUARN. OR x BECCO LANCIA VAP. DI 6x1.2 EPDM70(CONF.	
02280047	O-RING GASKET 17,86X2,62 NBR	GUARN. OR 17,86x2,62 NBR	
02280048	O-RING GASKET 20,29X2,62 NBR	GUARN. OR 20,29x2,62 NBR	
04100072	3WY SOLENOID 1/4-1/4 DISCHARGE 1/8 208/240V 50/60Hz I	E.V. NC 3VIE 1/4-1/4 SCAR.1/8 208/240V 50/60Hz F5INOX	
05000660	RUBBER PROTECTION STEAMWAND D10 EAGLE ONE	GOMMINO PROTEZIONE LANCIA D.10 EAGLE ONE	
07300091	T FITTING MFM 1/4 CYLIN.	RACCORDO T 1/4 M-F-M CILIN.	
07300128.TEA	PLUG 1/4 GAS+THEATURE	TAPPO 1/4 GAS AGG.31.01.89 OT-57 + TEATURA	
07300538	RAPID FITTING 1/4 STRAIGHT D4	RACCORDO RAPIDO 1/4 DIRITTO D4	
07300858	FITTING 1/4M-1/4M OT-57 USA	RACCORDO 1/4M-1/4M OT-57 USA	
07300870	JUNCTION 3/8 STEAM-WATER WAND EAGLE ONE	RACC. 3/8 LANCIA SNODATA VAPORE-ACQUA EAGLE ONE	
08000034	HOSE CLAMP D12	FASCETTA STRINGITUBO D12	
110000270	SHORT STEAM WAND KIT	KIT LANCIA VAPORE CORTA WER "MOLLA RINF."	
110000271	LONG STEAM WAND KIT	KIT LANCIA VAPORE LUNGA WER "MOLLA RINF."	
110000280	SHORT COLD STEAM WAND KIT EAGLE TEMPO	KIT LANCIA VAPORE FREDDA D.12 CORTA WER "MOLLA RI	
110000282	LONG COLD STEAM WAND KIT EAGLE TEMPO	KIT LANCIA VAPORE FREDDA D.12 LUNGA WER "MOLLARIN	
115000328	STEAM WAND PIPE - E.V. STEAM DX EAGLE TEMPO DIGIT	TUBO LANCIA VAPORE - E.V. VAPORE DX WER DIGIT	
115000330	STEAM WAND PIPE - E.V. STEAM SX EAGLE TEMPO DIGIT	TUBO LANCIA VAPORE - E.V. VAPORE SX WER DIGIT	
11600004	SILICONE PIPE 5x9 60Sh PEROX WHITE SEMITRASPAREN	TUBO SILICONE 5x9 70Sh PEROX TRASPARENTE(1mt=50gr)	
180000120	STEAM-WATER INSULATION EAGLE TEMPO	ISOLANTE LANCIA VAPORE-ACQUA WER	
75006038.1	STEAM NOOZLE M8,65x0,75 F1,2 ESAG.12	BECCO VAPORE M8,65x0,75 F. 1,2 ESAG.12	
75006038.2	STEAM NOZZLE M8,65x0,75 F. 1,5 ESAG.12	BECCO VAPORE M8,65x0,75 F. 1,5 ESAG.12	
98031126	BOILER - RIGHT VALVE EASYCREAM TUBE AURELIA18	TUBO CALDAIA-E.V. EASY CREAM DX AURELIA18	
98031130	BOILER-LEFT VALVE EASYCREAM WAND TUBE AURELIA1	TUBO CALDAIA-E.V. EASY CREAM SX AURELIA18	
98031242	RIGHT EASYCREAM SOLENOID-BOILER TUBE EAGLE ONE	TUBO CALDAIA - E.V. VAPORE DX 2GR. EAGLE ONE - WER	
98031246	EASYCREAM SOLENOID TUBE - RIGHT WAND EAGLE ONE	TUBO E.V. VAPORE - LANCIA DX 2GR. EAGLE ONE - WER	
98031252	EASYCREAM SOLENOID TUBE - LEFT WAND EAGLE ONE	TUBO E.V. VAPORE - LANCIA SX EAGLE ONE - WER	
982600212	WAND KIT WER (OR-COMPASS-SPRING)	KIT RICAMBIO LANCIA WER (OR-BUSSOLA-MOLLA)** AD ES	
982600213	WAND KIT WER (OR-COMPASS-SPRING)	KIT RICAMBIO LANCIA WER "MOLLA RINF." (OR-BUSSOLA-N	



** North America Market
Mercato Nord America



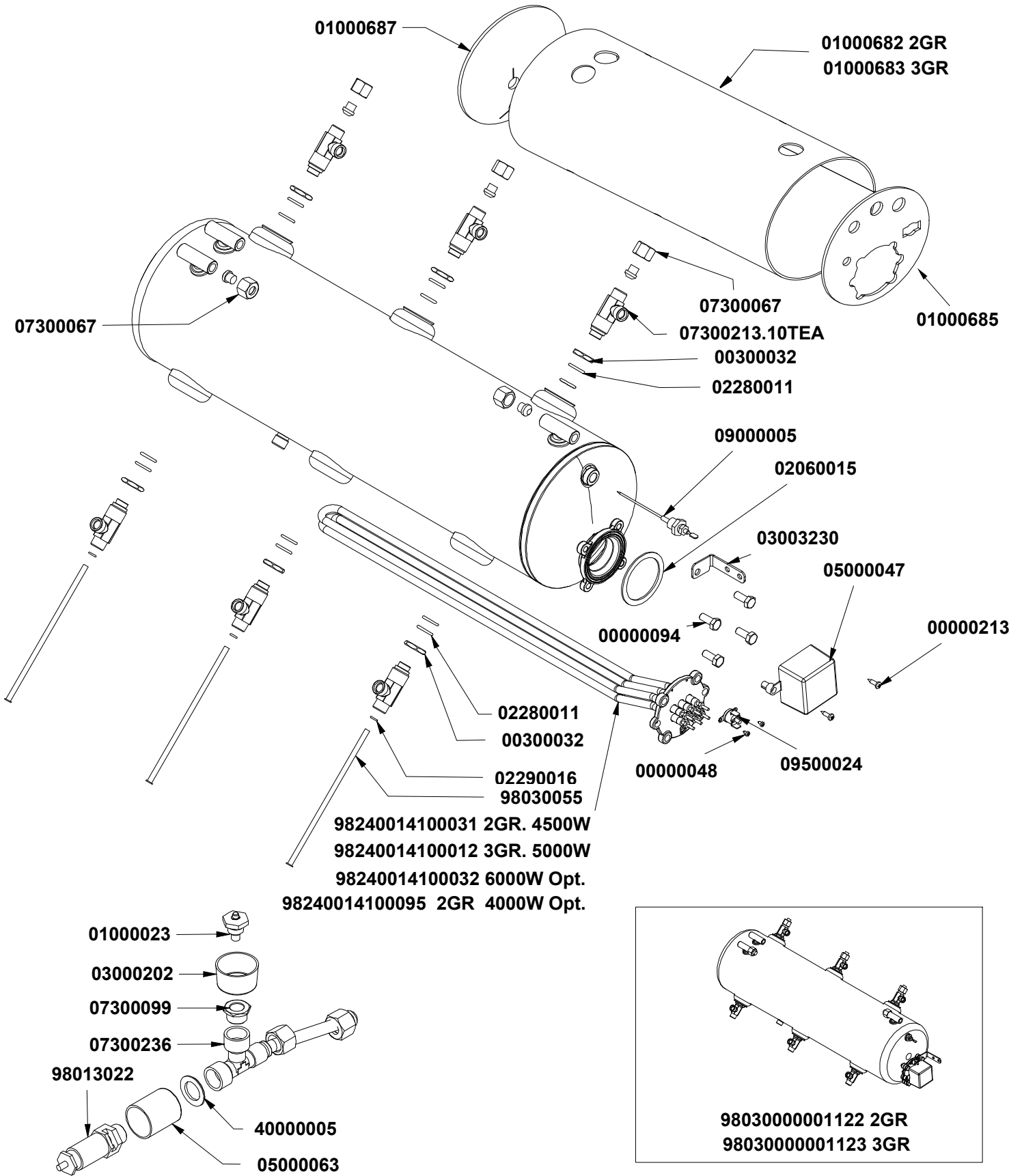
COD.	DESCRIPTION	DESCRIZIONE	VAL.
00000165	S/S SCREW M3x8 TCEI ISO 4762	VITE INOX M3x8 TCEI ISO 4762	
00000175	S/S CROSS HEAD CAP SCREW M4X10	VITE INOX M4x10 TC TCR	
02280036	O RING FOR STEAM WAND NOZZLE D6x1.2 EPDM70 500 P	GUARN. OR x BECCO LANCIA VAP. DI 6x1.2 EPDM70(CONF.	
02280047	O-RING GASKET 17,86X2,62 NBR	GUARN. OR 17,86x2,62 NBR	
02280048	O-RING GASKET 20,29X2,62 NBR	GUARN. OR 20,29x2,62 NBR	
04100022	2WAY SOLENOID 1/4-1/4 220-230V50/60Hz F3 CE TH1xM4	E.V. NC 2VIE 1/4-1/4 220-230V 50/60Hz RUBINO F3 CE PIEDIN	
04100024	3WAY SOLENOID 1/4 REGUL 90° 230V50/60Hz F3 CE	E.V. NC 2VIE 1/4 REGOLAT. 90° 230V 50/60Hz F.3 CE	
04100033	2WAY SOLENOID 1/4 REGUL 90° 230/240V 50/60Hz F3 UL C	E.V. NC 2VIE 1/4 REGOLAT. 90° 230/240V 50/60Hz F3UL CAN	
04901530	PT1000 PROBE STEAM WAND EAGLE ONE + 2 SUPP.	SONDA PT1000 x LANCIA VAPORE EAGLE ONE 2-3GR.+2 SU	
072000100	RUBBER CLAMP M5 M5 L GIR. D4	PORTAGOMMA M5 DRITTO	
07300671	EASYCREAM NOZZLE 4HOLES TALENTO - AURELIA II	BECCO EASYCREAM 4 FORI TALENTO / AURELIA II	
07300858	FITTING 1/4M-1/4M OT-57 USA	RACCORDO 1/4M-1/4M OT-57 USA	
073500102	RAPID FITTING	RACCORDO RAPIDO M5 L GIR. D4	
092000304	PROBE PT1000 FOR "SHORT" STEAM LANCE +2 SUPP. EA	SONDA PT1000 x LANCIA VAPORE "CORTA" WER+2 SUPP.	
110000252	SHORT "EASY CREAM" WAND KIT EAGLE TEMPO	KIT LANCIA "EASY CREAM" CORTA WER** AD ESAURIMENT	
110000274	HOT WATER WAND KIT	KIT LANCIA ACQUA CALDA WER "MOLLA RINF."	
115000126	HOT WATER MAINFOLD MIX MAVERICK	CROCIERA MISCELATORE ACQUA CALDA MAVERICK - WER	
11600001.W	WHITE SILICONE PIPE 4x7,5 60Sh(1mt=41gr) PLATINICO SE	TUBO SILICONE BIANCO4x7,5 60Sh(1mt=41gr) PLATINICO SE	
11740002	CALIBRATED TEFLON PIPE 4/2,5 TRASPARENT (ROLLS OF	TUBO TEFLON 4/2,5 CALIBRATO TRASPARENTE (ROTOLI D	
11740003	CALIBRATED TEFLON PIPE 6/4	TUBO TEFLON NSF 6/4 CALIBRATO1 matassa = 50mt	
180000120	STEAM-WATER INSULATION EAGLE TEMPO	ISOLANTE LANCIA VAPORE-ACQUA WER	
190000102	2 WAYS SOLENOID AIR PROPORTIONAL	E.V. NC 2VIE 24V CC PROPORZIONALE ARIAMICROEV. 0,8	
190000111	2 WAYS SOLENOID 1/4-1/4 208-240V 60Hz RUBY F3 UL NSF	E.V. NC 2VIE 1/4-1/4 208-240V 60Hz RUBY F3 UL NSF 121KH	
82007003.1	HOTWATER DIFFUSER D23,5 F1/8 WITH S/S AERATOR	ROMPIGETTO ACQUA CALDA D.23,5 F 1/8" CON AERATORE	
98004001	S/S FILTER D8	FILTRO INOX DIAM. 8	
98030921	BOILER - HOT WATER VALVE TUBE VA358	TUBO CALDAIA - E.V. ACQUA CALDA VA358	
980600160	EASY CREAM RIGHT SHORT WAND KIT + PROBE	ASS. LANCIA EASY CREAM DX CORTA WER + SONDA** AD	
980600162	EASY CREAM LEFT SHORT WAND KIT + PROBE	ASS. LANCIA EASY CREAM SX CORTA WER + SONDA** AD	
980600165	EASY CREAM RIGHT LONG WAND KIT + PROBE	ASS. LANCIA EASY CREAM DX LUNGA WER + SONDA"MOLLA	
980600167	EASY CREAM LEFT LONG WAND KIT + PROBE	ASS. LANCIA EASY CREAM SX LUNGA WER + SONDA"MOLLA	
98170000000033	MICROCOMPRESSOR + SUPPORT SET TALENTO	ASS. SUPPORTO + MICROCOMPRESSORE TALENTO	
982600211	WAND KIT WER (OR-COMPASS-SPRING)	KIT RICAMBIO LANCIA EASY C. WER (OR-BUSSOLA-MOLLA)	
982600212	WAND KIT WER (OR-COMPASS-SPRING)	KIT RICAMBIO LANCIA WER (OR-BUSSOLA-MOLLA)** AD ES	
982600213	WAND KIT WER (OR-COMPASS-SPRING)	KIT RICAMBIO LANCIA WER "MOLLA RINF." (OR-BUSSOLA-M	



** North America Market
Mercato Nord America

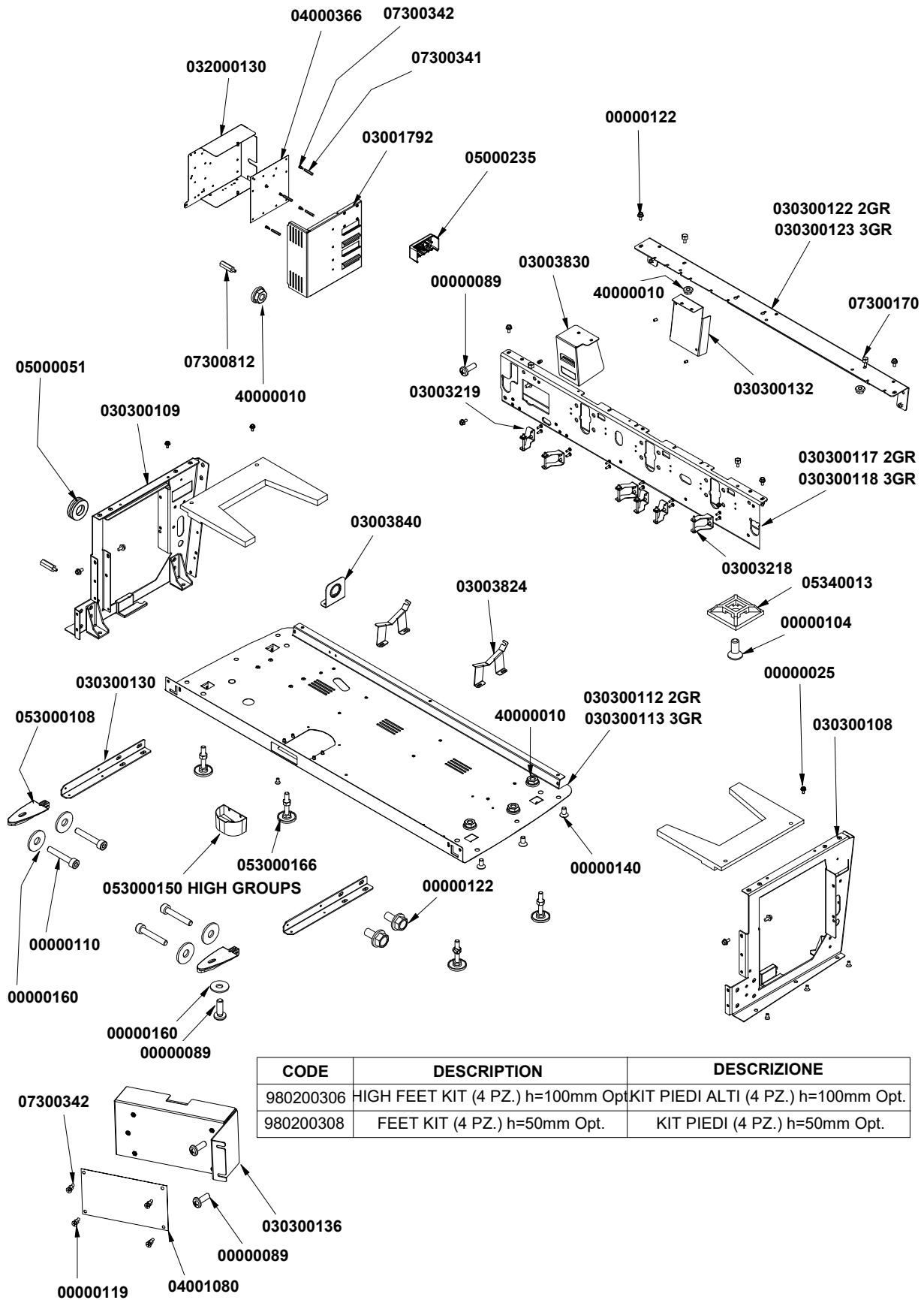


COD.	DESCRIPTION	DESCRIZIONE	VAL.
00000089	S/S CROSSHEAD CAP SCREW M4x12 DIN7985	VITE INOX M4x12 TC TCR DIN7985	
02280032	GASKET O RING 114 D15 EP 851	GUARN. OR 114 D.15 EP 851	
115000312		CROCIERA ALIMENTAZIONE DOSATORI 2GR WER DIGIT	
115000313		CROCIERA ALIMENTAZIONE DOSATORI 3GR WER DIGIT	
115000316	EXCHANGER TUBE - FLOWMETER EAGLE TEMPO DIGIT2-	TUBO SCAMBIATORE - DOSATORE WER DIGIT GRUPPO 2-	
115000318		TUBO SCAMBIATORE - DOSATORE WER DIGIT GRUPPO 1	
04900026	BRASS FLOWMETER 1/4-1/4GAS -ATT. HEAD 2,8x0,5F 1,2 "	DOSATORE VOLUMETRICO OTT. 1/4-1/4GAS -ATT. TEST.2,8	
07300100.G5	CONNECTION 1/4M-1/4M GIGLER F.0,5 OT-57 USA	ATTACCO SCAR. 1/4M-1/4M GIGLER F.0,5 OT-57 USA	
07300443	FITTING 1/4M 1/4M GIGLER F.0,8 OT-57 USA	RACCORDO 1/4M 1/4M GIGLER F.0,8 OT-57 USA	
07300858	FITTING 1/4M-1/4M OT-57 USA	RACCORDO 1/4M-1/4M OT-57 USA	
98004016	S/S FILTER D12	FILTRO INOX DIAM. 12	
98030223	FLOWMETER ASSEMBLY GIGLEUR 0,5	ASSIEME DOSATORE VA358 DIGIT AURELIA18 V-DGTGIGLE	
98030224	FLOWMETER ASSEMBLY GIGLEUR 0,8	ASSIEME DOSATORE VA358 DIGIT AURELIA18 V-DGTGIGLE	





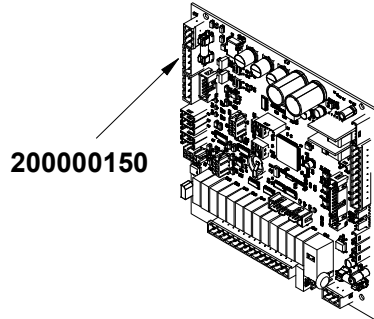
COD.	DESCRIPTION	DESCRIZIONE	VAL.
00000048	SELF-TAPPING SCREW 2.9x4.5 TC/T.CR.	VITE AUTOF 2,9x4,5 TC/T.CR.	
00000094	S/S HEX CAP SCREW M8x20 5739	VITE INOX M8x20 TE 5739	
00000213	GALV SELF-TAPPING SCREW 4,2x16 TC T.CR.	VITE AUTOF 4,2x16 TC T.CR. ZIN	
00300032	NUT 1/2 GAS D5 CH25 ADD 22.07.96	DADO OT 1/2" GAS SPESS.5 CH25 AGG.22.07.96	
01000023	ANTI VACUUM VALVE	VALVOLINA SFIATO	
01000682	BOILER INSULATION 2GR T3 D.185 WITH VELCRO	ISOLANTE CALDAIA 2GR MACCHINE T3 MELAMMINA	
01000683	BOILER INSULATION 3GR T3 D.185 WITH VELCRO	ISOLANTE CALDAIA 3GR MACCHINE T3 MELAMMINA	
01000685	RIGHT BOILER INSULATION D.180 MELAMINE	ISOLANTE D.185 DX CALDAIA MACCHINE T3 MELAMMINA	
01000687	LEFT BOILER INSULATION D.180 MELAMINE	ISOLANTE D.185 SX CALDAIA MACCHINE T3 MELAMMINA	
02060015	GASKET FOR HEATING ELEMENT 067x054x2	GUARNIZIONE PTFE 067x054x2	
02280011	GASKET O RING R11 D19 EP 851	GUARN. OR R11 D19 EP 851	
02290016	GASKET O RING D9,5 R5 SIL RED	GUARN. OR D 9,5 R5 SILICONE R.	
03000202	CONDENSATION TRAY MASTER	VASCHETTA RACCOGLI CONDENSA AGG. 07.06.97	
03003230	MAIN BOILER BRACKET VA388	STAFFA FISSAGGIO CALDAIA VA388	
05000047	SQAURE RESISTANCE COVER V0	COPRI RESISTENZA QUADRATA V0	
05000063	SAFETY VALVE COVER PA6	COPRI VALVOLA SICUREZZA PA6	
07300067	NUT FITTING 3/8 GAS D11 ADD. 15.11.84 OT-58	DADO RACCORDO 3/8 GAS D11 AGG. 15.11.84 OT-58	
07300099	FITTING ADAPTER 3/8-1/4 ES. 20 ADD. 29.05.96	RIDUZIONE 3/8-1/4 ES.20 AGG. 29.05.96	
07300213.10TEA	EXCHANGER 1/2 GAS F.10 OT-57 USA + TEA	CORPO SCAMBIATORE 1/2 GAS F.10 OT-57 USA + TEATURA	
07300236	T FITTING 3/8 M-F-F 466	RACCORDO A T 3/8 M-F-F	
09000005	COMPLETE AUTOLEVEL PROBE L=130	SONDA AUTOLIVELLO COMP. L=130	
09500024	MANUAL THERMOSTAT 135°C TRIP FREE GREEN DRIPPIN	TERMOSTATO R.MAN. 135°C TRIP FREE GOCCIOLATURAVE	
40000005	BRASS WASHER 27x17x2 ROUGH	RONDELLA OT 27x17x2 GREZZA	
98013022	SAFETY VLVE C10 1,8 BAR 3/8" VITON 97/23/CE CAT.IV H1	VALVOLA SICUREZZA C10 1,8 BAR 3/8" VITON 97/23/CECAT	
98030000001122	BOILER SET VA358 2GR	ASS. CALDAIA VA358-EAGLE TEMPO 2GR. DIGIT	
98030000001123	BOILER SET VA358 3GR	ASS. CALDAIA VA358-EAGLE TEMPO 3GR. DIGIT	
98030055	INTERNAL TEFLON TUBE EXCHANGER D6x180mm	TUBO TEFLON INT. SCAMBIATORE D.6 x 180 mm.	
98240014100012	HEATING ELEMENT W/ NUTS 5000W	RESISTENZA COMPLETA DI DADI 5000W	
98240014100031	HEATING ELEMENT W/ NUTS 4500W	RESISTENZA COMPLETA DI DADI 4500W	
98240014100032	HEATING ELEMENT W/ NUTS 6000W	RESISTENZA COMPLETA DI DADI 6000W	
98240014100095	HEATING ELEMENT W/ NUTS 4000W 230/380V	RESISTENZA COMPLETA DI DADI 4000W 230/380	



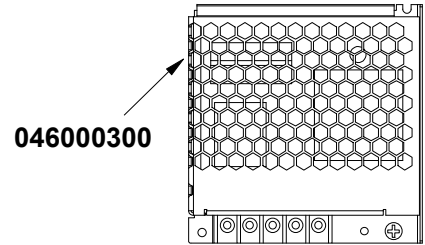
CODE	DESCRIPTION	DESCRIZIONE
980200306	HIGH FEET KIT (4 PZ.) h=100mm Opt	KIT PIEDI ALTI (4 PZ.) h=100mm Opt.
980200308	FEET KIT (4 PZ.) h=50mm Opt.	KIT PIEDI (4 PZ.) h=50mm Opt.



COD.	DESCRIPTION	DESCRIZIONE	VAL.
00000025	GALV CROSS HEAD CAP SCREW AQ M6x20	VITE AQ M6x20 TC T.CR. ZINC	
00000089	S/S CROSSHEAD CAP SCREW M4x12 DIN7985	VITE INOX M4x12 TC TCR DIN7985	
00000104	S/S CROSSHEAD COUNTERSUNK SCREW M4x10 DIN965	VITE INOX M4x10 TSP TCR DIN965	
00000110	S/S CROSS HEAD CAP SCREW M4x20 7985	VITE INOX M4x20 TC TCR 7985	
00000119	SS CROSS HEAD COUNTERSUNK SCREW M4x6 ISO 7046	VITE INOX M4x6 TSPTCR ISO 7046	
00000122	WHITE GALV FLANGED KNURLED HEX CAP SCREW 8.8 M	VITE AQ 8.8 M6x12 TE FLANG. ZIGR. ZINC. BIANCO	
00000140	S/S HEX SOCKET COUNTERSUNK SCREW M6x12	VITE INOX M6x12 TSPEI	
00000160	S/S WASHER D4X12 UNI 6593	RONDELLA INOX D4x12x1 UNI 6593	
03001792	CONTROL BOARD COVER AURELIA	CHIUSURA CENTRALINA AURELIA	
03001794	CONTROL BOARD CASE AURELIA	CONTENITORE CENTRALINA AURELIA	
03003218	RIGHT SUPPORT COVER GROUP VA388	LAMIERA DX SUPP. COPRIGRUPPO VA	
03003219	LEFT SUPPORT COVER GROUP VA388	LAMIERA SX SUPP. COPRIGRUPPO VA	
032000130	CONTROL BOARD CASE 2023	CONTENITORE CENTRALINA 2023	
053000150	DRAIN TRAY EXTENSION EAGLE TEMPO	PROLUNGA VASCHETTA SCARICO WER	
053000166	MACHINE FOOT WER BICOMPONENT M10X65 MALE INSEF	PIEDE MACCHINA WER BICOMPONENTE INSERTO M10x65M	
03003824	SUPPORT BOILER	SUPPORTO CALDAIA EAGLE ONE	
03003830	REMOTE SWITCH SUPPORT	SUPPORTO TELERUTTORE EAGLE ONE	
03003840	CABLE GLAND SUPPORT BRACKET	STAFFA SUPP. PRESSACAVO EAGLE ONE	
030300108	RIGHT FRAME SIDE EAGLE TEMPO	FIANCO TELAIO DX WER	
030300109	LEFT FRAME SIDE EAGLE TEMPO	FIANCO TELAIO SX WER	
030300112	SUPPORTING BASE 2GR. EAGLE TEMPO	BASAMENTO PORTANTE 2GR. WER	
030300113	SUPPORTING BASE 3GR. EAGLE TEMPO	BASAMENTO PORTANTE 3GR. WER	
030300117	GROUP HOLDER WALL 2GR. EAGLE TEMPO	PARETE PORTAGRUPPI 2GR. WER	
030300118	GROUP HOLDER WALL 3GR. EAGLE TEMPO	PARETE PORTAGRUPPI 3GR. WER	
030300122	REAR UPPER CROSSBAR 2GR EAGLE TEMPO	TRAVERSA SUP. POSTERIORE 2GR. WER	
030300123	REAR UPPER CROSSBAR 3GR EAGLE TEMPO	TRAVERSA SUP. POSTERIORE 3GR. WER	
030300130	WATER COLLECTOR PLATE GUIDE EAGLE TEMPO	GUIDA PIATTO RACCOGLIACQUA WER	
030300132	POWER SUPPLY SUPPORT EAGLE TEMPO	SUPPORTO ALIMENTATORE WER	
030300136	SINGLE BOILER CONTROL UNIT SUPPORT EAGLE TEMPO	SUPPORTO CENTRALINA UNICA CALDAIE WER	
04000366	PVC MAIN BOARD PROTECTION AURELIA	PROTEZIONE CENTRALINA AURELIA	
04001080	MACHINE CONTROL UNIT PROTECTION T3	PROTEZIONE CENTR. CONTROLLO MACCHINE T3	
05000051	BLACK DG 11 MEMBRANE CABLE DUCT	PASSACAVO A MEMBRANA DG11 NERO	
05000235	CLAMP COVER FOR WIRING	COPRI MORSETTO CABLAGGI	
053000108	FLAT WATER DRIP TRAY MAVERICK	APPOGGIO PIATTO RACCOGLIACQUA MAVERICK	
05340013	SMALL BASE 19X19 FOR BAND WITH SCREW HOLE M4	BASETTA 19x19 PER FASCETTA CON FORO PER VITE M4	
07300170	FRONTAL FASTENING EXTENSION ADD.22.07.92	PROLUNGA FISSAGGIO FRONTALE AGG.22.07.92	
07300341	CENTRAL LOCK VIP S/S NICKEL PLATE L=35 ADD.29.01.98	PERNO BLOCC. CENTRAL. VIP INOXNICHELATO L=35AGG.2	
07300342	NICKEL PLATED CONTROL UNIT SUPPORT PIN	PERNO SUPPORTO CENTRAL. VIP NICHELATO	
07300812	EXTENTION FOR CUP WARMER FASTENING AURELIA II	PROLUNGA FISSAGGIO SCALDATAZZE AURELIA II	
40000010	NUT M6 W/ WELDED GALV WASHER	DADO AQ M6 RONDELLA SALDATA ZINCATO	
980200306	EAGLE TEMPO HIGH FEET KIT (4 PCS.)	KIT PIEDI ALTI EAGLE TEMPO(4 PZ.)	
980200308	EAGLE TEMPO FEET 5cm KIT (4 PCS.)	KIT PIEDI 5CM EAGLE TEMPO(4 PZ.)	



200000150

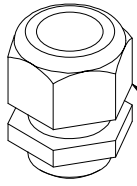


046000300

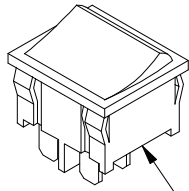
CODE	DESCRIPTION	DESCRIZIONE
04000244	3POLE CONN CABLE RAST 2.5/MOLEX L = 800mm for PSTY	CAVO COLL.3P RAST 2,5/MOLEX L.800MM for PSTY
04000332	EXT L=85 + FASTON F-F A FLAG AWG18 BROWN	CAVALLOTTO L=85 + FASTON F-F
04000380	CUPWARMER SENS. CONN CABLE L=100 F-F NEO	CAVO COLL. SONDA SCALDAT. L=100cm NEO
04000893	EXTEN CABLE L=600 2WAY CONN AMP TYP MODE II M-F	CAVO PROLUNGA L=600 CONNETTORI 2VIE
04000912	EXTEN CABLE L=380 2WAY CONN AMP TYP MODE II M-F	CAVO PROLUNGA L=380 CONNETTORI 2VIE
04000914	EXTEN CABLE L=2160 2WAY CONN AMP TYP MODE II M-F	CAVO PROLUNGA L=2160 CONNETTORI 2VIE
04001148	CONN CABLE DISPENSING BOARD-TAP BOARD	CAVO COLL. SCHEDA EROG. -SCHEDA RUBIN.
04001165	LED WIRING 2GR	CABLAGGIO LUCI 2GR
04001166	LED WIRING 3GR	CABLAGGIO LUCI 3GR
040500322	WIRING 2GR HIGH VOLTAGE DIGIT	CABLAGGIO 2GR ALTA TENSIONE DIGIT
040500323	WIRING 3GR HIGH VOLTAGE DIGIT	CABLAGGIO 3GR ALTA TENSIONE DIGIT
040500116	ADDITION WIRING EASYCREAM	SUPPL. CABLAGGIO EASYCREAM
040500317	WIRING 2GR LOW VOLTAGE DIGIT	CABLAGGIO 2GR BASSA TENSIONE DIGIT
040500318	WIRING 3GR LOW VOLTAGE DIGIT	CABLAGGIO 3GR BASSA TENSIONE DIGIT



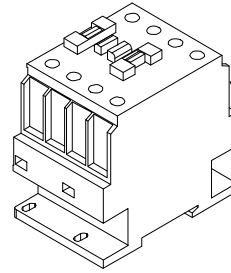
COD.	DESCRIPTION	DESCRIZIONE	VAL.
04000244	3POLE CONN CABLE RAST 2.5/MOLEX L = 800mm for PSTY	CAVO COLL.3P RAST 2,5/MOLEX L.800mm x TRASDUTTORIF	
04000332	EXT L=85 + FASTON F-F A FLAG AWG18 BROWN	CAVALLOTTO L=85 + FASTON F-F A BANDIERA AWG18MAR	
04000380	CUPWARMER SENSOR CONN CABLE AURELIA L=100MOD	CAVO COLL. SONDA SCALDATAZZE AURELIA L=100cm MOI	
04000893	EXTEN CABLE L=600 2WAY CONN AMP TYP MODE II M-F	CAVO PROLUNGA L=600 CONNETTORI 2VIE TIPO AMP MOD	
04000912	EXTEN CABLE L=380 2WAY CONN AMP TYP MODE II M-F	CAVO PROLUNGA L=380 CONNETTORI 2VIE TIPO AMP MOD	
04000914	EXTEN CABLE L=2160 2WAY CONN AMP TYP MODE II M-F	CAVO PROLUNGA L=2160 CONNETTORI 2VIE TIPO AMP MO	
04001148	CONN CABLE DISPENSING BOARD-TAP BOARD EAGLE OF	CAVO COLL. SCHEDA EROGAZIONE -SCHEDA RUBINETTIE	
04001165	LED WIRING EAGLE ONE 2GR	CABLAGGIO LUCI 2GR. EAGLE ONE	
04001166	LED WIRING EAGLE ONE 3GR	CABLAGGIO LUCI 3GR. EAGLE ONE	
040500116	ADDITION WIRING EASYCREAM MAVERICK	SUPPL. CABLAGGIO EASY CREAM MAVERICK - WER	
046000300	TRANSFORMER 24V 75W LRS-75-24 MAVERICK	TRASFORMATORE 24V 75WLM75-20B24 / LRS-75-24	
200000150	MAIN BOARD EAGLE TEMPO	CENTRALINA WER - EAGLE ONE	



05000085

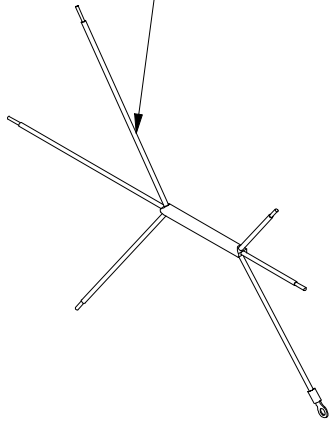


04200057

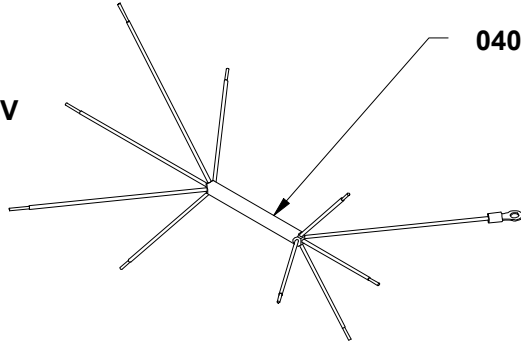


04200019

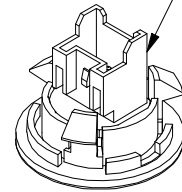
04000542 230V



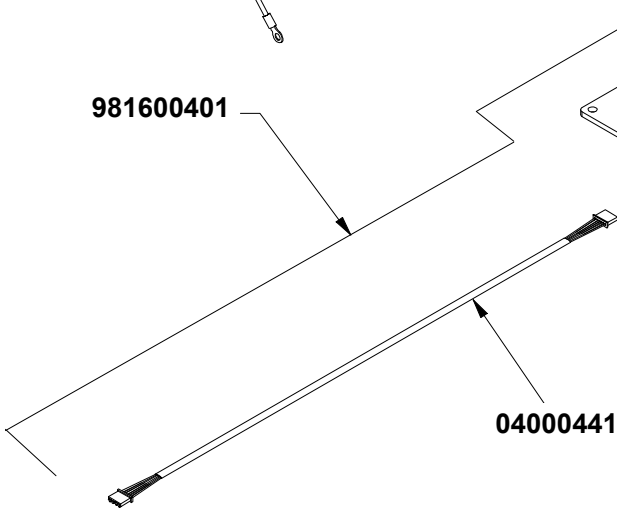
04000543 380V



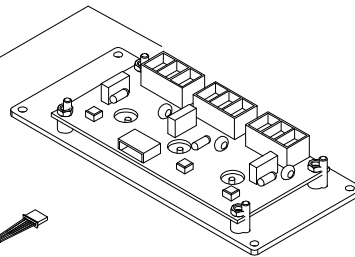
04000470



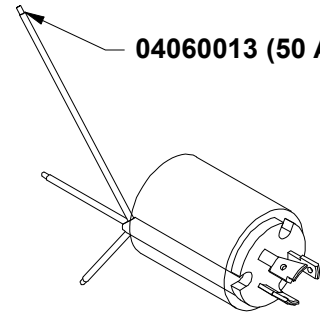
981600401



04000441



04060013 (50 A)**



CODE	DESCRIPTION	DESCRIZIONE
04000387	CUPWARMER WIRING 3GR	CABLAGGIO SCALDATAZZE 1 TEMP. 3GR
04000386	CUPWARMER WIRING 2GR	CABLAGGIO SCALDATAZZE 1 TEMP. 2GR



COD.	DESCRIPTION	DESCRIZIONE	VAL.
04000386	CUP WARMER CABLING 1 TEMP 2GR AURELIA II DIGIT-T3	CABLAGGIO SCALDATAZZE 1 TEMP. 2GR. AURELIA IIDIGIT-	
04000387	CUPWARM WIRING 1 TEMP 3GR AURELIA II DIGIT-T3	CABLAGGIO SCALDATAZZE 1 TEMP 3GR. AURELIA IIDIGIT-T	
04000441	CABLE CONNECT. TRIAC BOILER L=1900	CAVO COLLEG. TRIAC CALDAIA L=1900	
04000470	12VDC LED SPOT AURELIA WAVE	LED AURELIA18 12V	
04000542	ELECTRICAL CABLE 3x4 H07RN-F 2mt450/750V CB ICEL	CAVO ELETTR. 3x4 H07RN-F 2mt450/750V CB -> ICEL <-	
04000543	ELEC. CABLE 5x2,5 H07RN-F CB450/750V 2,5mt ICEL	CAVO ELETTR. 5x2,5 H07RN-F CB450/750V 2,5mt ICEL	
04060013	CABLE+PLUG AWG3x10 SJOOW UL/CSA 50A 250V NEMA6	CAVO ALIM. AWG3x10 SJOOW 90°C UL/CSA 2mt SPINA USA	
04200019	4POLE CONTACTOR 25A CE/UL 230V COIL	CONTATTORE QUADRIPOLORE 25A CE/UL BOBINA 230V	
04200057	DBL POWER BIPOLAR BIG SWITCH 10A UL 22X19 AURELIA	INTERRUT. ACCENSIONE BIPOL. GRANDE 10A UL 22x19AU	
05000085	CABLEGLAND TEC-S M20 D.7-14 CON DADO P-CT M20 Es2	PRESSACAVO TEC-S M20 D.7-14 PLASTICA NERO	
981600401	BT TRIAC BOARD KIT	ASSIEME SCHEDA BT TRIAC	



INSPIRED BY YOUR PASSION.

Simonelli Group s.p.a.
Via E. Betti, 1 - 62020 Belforte
del Chienti - (MC) Italy
Tel. +39 0733.950243 - Fax +39
0733.850247
e-mail: info@victoriaarduino.com
com www.victoriaarduino.com